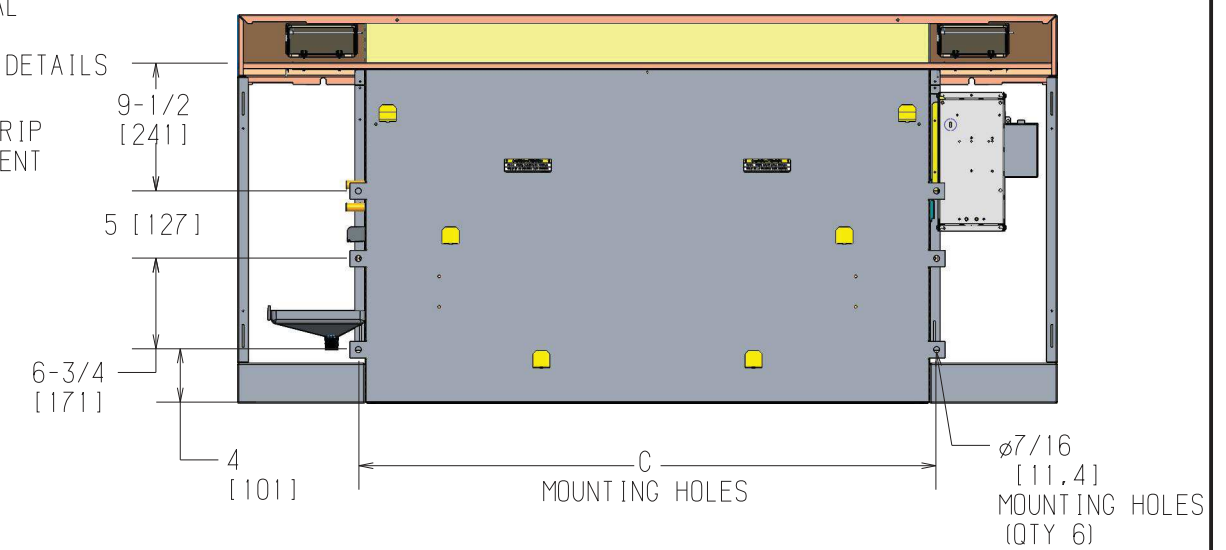
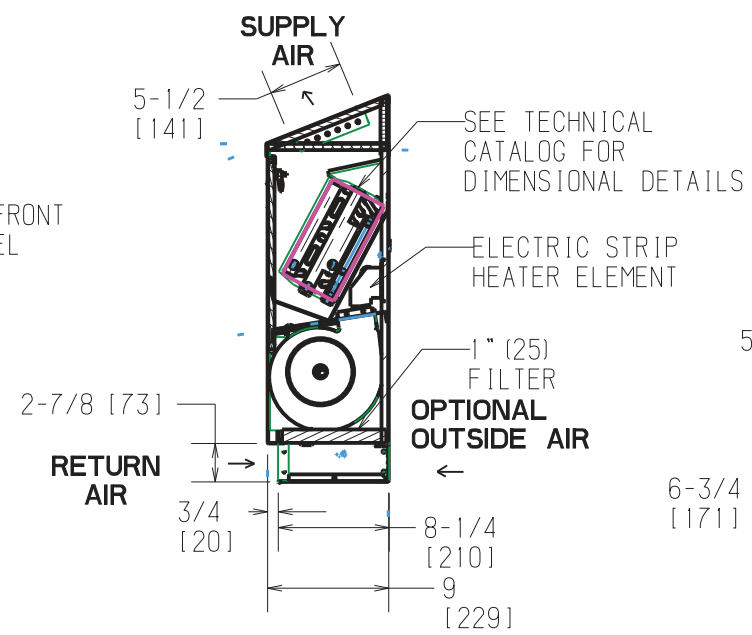
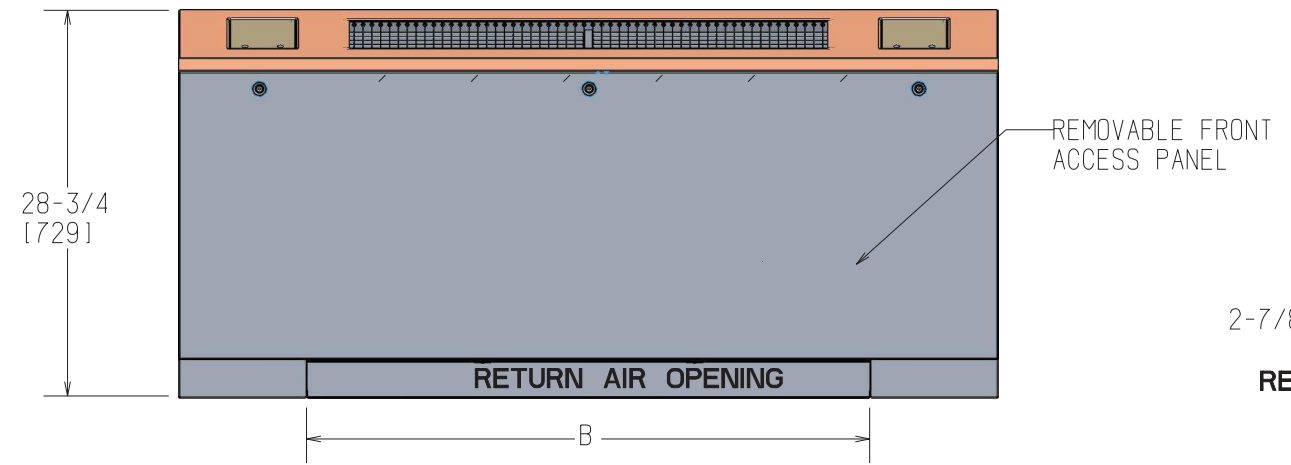
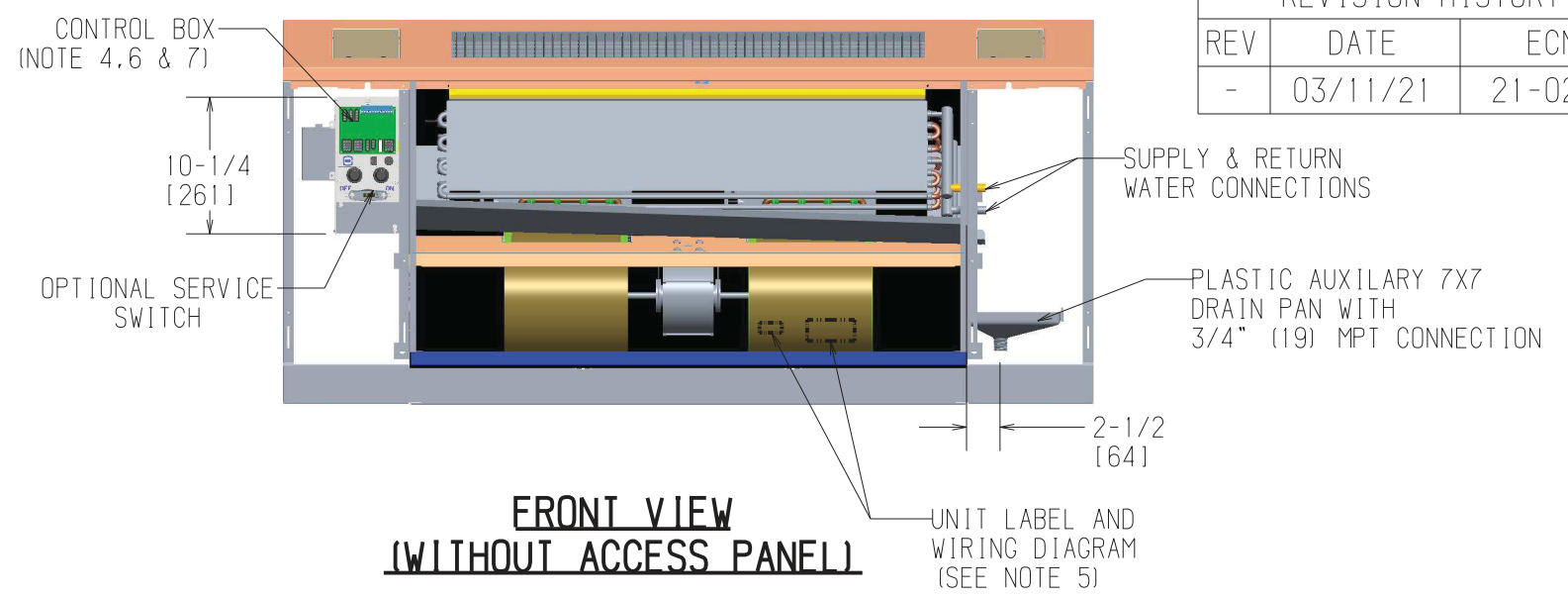
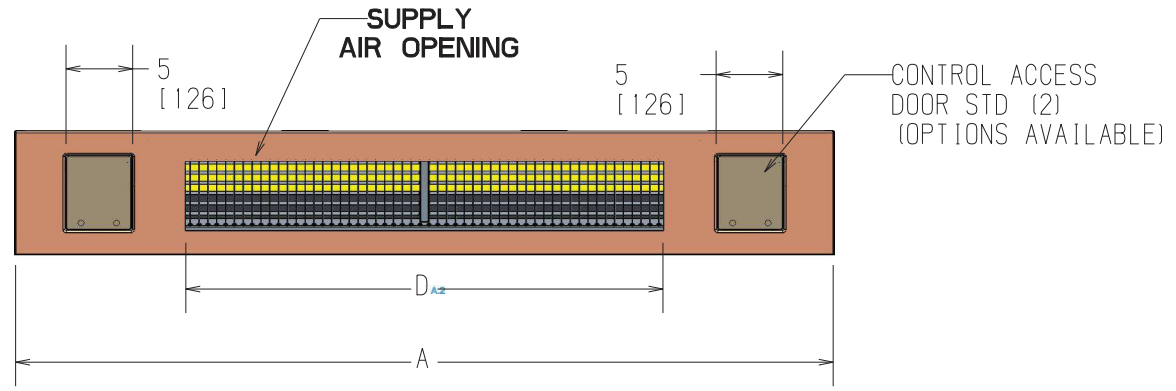


REVISION HISTORY		
REV	DATE	ECN
-	03/11/21	21-0295



- NOTES:
1. RH COIL SHOWN, LH OPPOSITE.
 2. ALL DIMENSIONS ARE +/- .25 (6). DRAWING NOT TO SCALE.
 3. PRODUCT SPECIFICATIONS ARE SUBJECT TO CHANGE WITHOUT NOTICE.
 4. CONTROL BOX SIZE AND POSITION MAY VARY (CONSULT FACTORY)
 5. POSITION MAY VARY.
 6. SERVICE ACCESS IS LOCATED ON THE FRONT OF THE CONTROL BOX.
 7. KNOCKOUTS ON THE BOTTOM AND SIDE OF THE CONTROL BOX FOR INCOMING POWER CONNECTIONS

Unit Model	Dimensions - Inches (Millimeters)				Quantity/Unit	
	A	B	C	D	Blower	Motor
FVC 02	41 (1041)	22 (559)	23 (584)	17-1/4 (438)	1	1
FVC 03	41 (1041)	22 (559)	23 (584)	17-1/4 (438)	1	1
FVC 04	51 (1295)	32 (813)	33 (838)	26 (660)	2	1
FVC 05	51 (1295)	32 (813)	33 (838)	26 (660)	2	1
FVC 06	61 (1549)	42 (1067)	43 (1092)	39 (991)	2	1
FVC 08	63 (1600)	44 (1118)	45 (1143)	39 (991)	2	1
FVC 10	77 (1956)	58 (1473)	59 (1499)	52-1/8 (1324)	4	2
FVC 12	85 (2159)	66 (1676)	67 (1702)	61 (1549)	4	2

TITLE VERT CLASSIC SLOPED CAB TOP SPLY
ELECTRIC HEAT

DWG NO 1100-90044337

DRAWN J. FUSON	DATE 03/20/12	APPROVED J.GRAVES	REV -
DATE 03/20/12		DATE 03/20/12	